



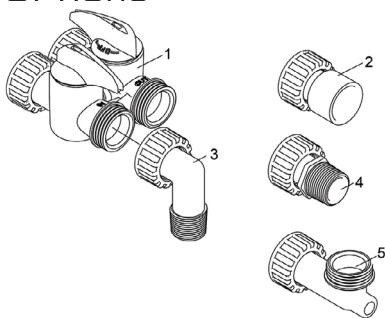
### Product Features

- Simple set up through Bluetooth App
- 12 VDC operation
- 5 cycles, all fully adjustable
- Programming ease and options increase efficiency, save salt and water
- Strong, durable Noryl® valve body, weather/insect resistant one-piece slide cover
- 1" Plastic bypass
- 9V battery back-up
- Will motor to a drain line shut off position if power fails during regeneration
- Switch Output for:
  - Full Cycle Function
  - Backwash Function
- Limited 7 year warranty

### Optional Configurations

- Backwash filter
- Meter initiated regeneration
- Nitro & Sidekick Single Tank Aeration Systems

#### BYPASS CONNECTOR OPTIONS



Valve Specifications	
Valve Material	Noryl®*
Inlet / Outlet	1"
Cycles	5
Flow Rates (50 psi inlet) - Valve Alone	
Continuous (15 psi drop)	21 gpm
Peak (25 psi drop)	27 gpm
CV (flow at 1 psi drop)	5.4
Max. backwash (25 psi drop)	17 GPM
Regeneration	
Downflow / Upflow	Downflow
Adjustable Cycles	Yes
Time Available	99 minutes per cycle
Meter Information	
Meter Accuracy Range	.25 - 15 gpm +/- 5%
Meter Capacity Range (gal.)	1 - 9,999
Dimensions	
Distributor Pilot	1.050" O.D.
Drain Line	1/2" NPT Q.C.
Brine Line	3/8"
Mounting Base	2-1/2" - 8 NPSM
Height From Top of Tank	7.7"
Typical Applications	
Water Softener	6" - 16" Diameter up to 4 ft. <sup>3</sup> Capacity
Iron Filter	6" - 16" Diameter
Sediment Filter	6" - 16" Diameter
Carbon Filter	6" - 16" Diameter
Neutralizing Filter	6" - 16" Diameter
Additional Information	
Electrical Rating	12 VDC
Pressure	Hydrostatic: 300 psi Working: 20 - 125 psi
Temperature	34 ° - 110 ° F

\*Noryl is a registered trademark of General Electric Company