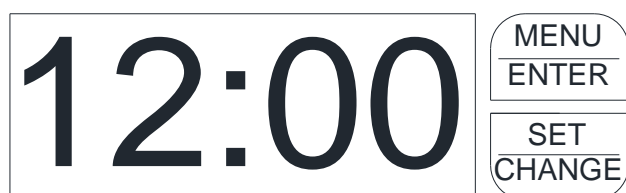


Ultra-Filter Valve Operation and Menus

The Main Display alternates between days remaining until the next backwash cycle (1) and the time of day. Days remaining will always be (1) and is NOT programmable. This unit requires a backwash every night. The scheduled time of backwash is 12:00 a.m. but can be changed to a different time if desired. Always choose a time when water will not be used during this period.

User Menu:

MAIN MENU:



1. To Enter Main Menu Press the *Menu/Enter* Button
(Time of Day will Flash)
2. To Set the **Time of Day** Press the *Set/Change* Button
(First Digit will Flash)
 - To Change Digit Value Press the *Set/Change* Button
 - To Accept the Digit Value Press the *Menu/Enter* Button
 - Next Digit will Flash to Begin Setting
 - Once the Last Digit Display is Accepted all Digits will Flash
3. To Set **A.M or P.M.** Press the *Menu/Enter* Button
 - To Change Digit Value Press the *Set/Change* Button
 - To Accept the Digit Value Press the *Menu/Enter* Button
 - Once A.M./P.M. is Accepted the Next Menu Item will Flash

Example [12:00]

Example [A]

4. To Set the Time in the backwash cycle. Displayed as position 3 along with a two digit field that is the programmed value in minutes.

Example:

3-05

- Press the *Set/Change* Button

- Repeat instructions from step (2)

1) Default Setting is 5 minutes.

Note: This unit backwashes @ 2 gallons a minute and uses treated drawdown water from a pressure tank. Make sure there is sufficient drawdown water to accommodate the minutes entered.

Example: 5 minute backwash will need 10 gallons of treated drawdown water from the pressure tank.

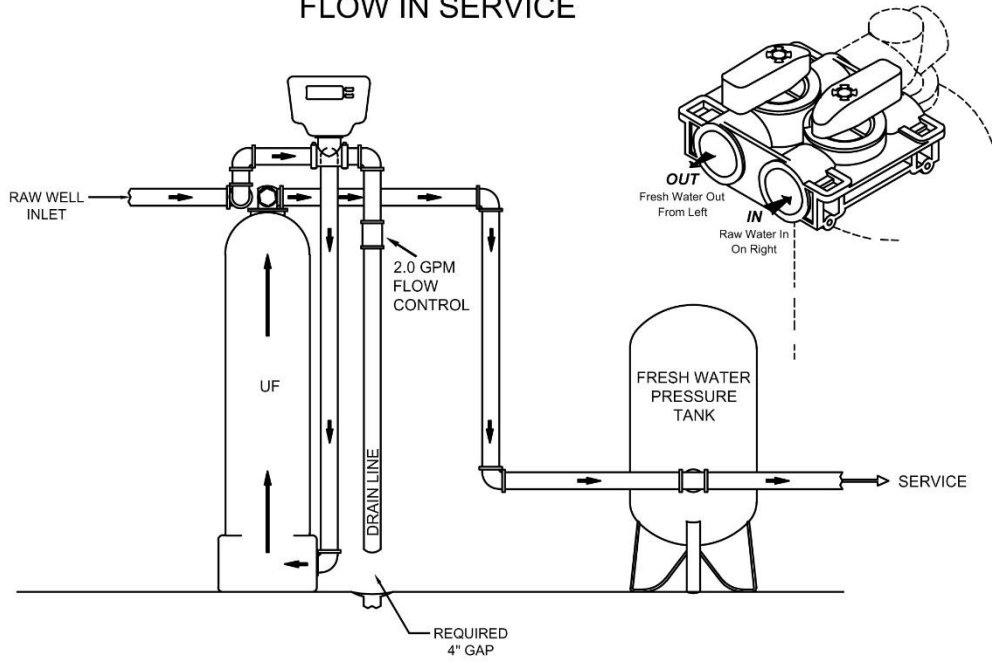
5. To Exit Main Menu Press the *Menu/Enter* Button

Note: If No Buttons are Pressed for 60 Seconds, the Main Menu will be Exited Automatically.

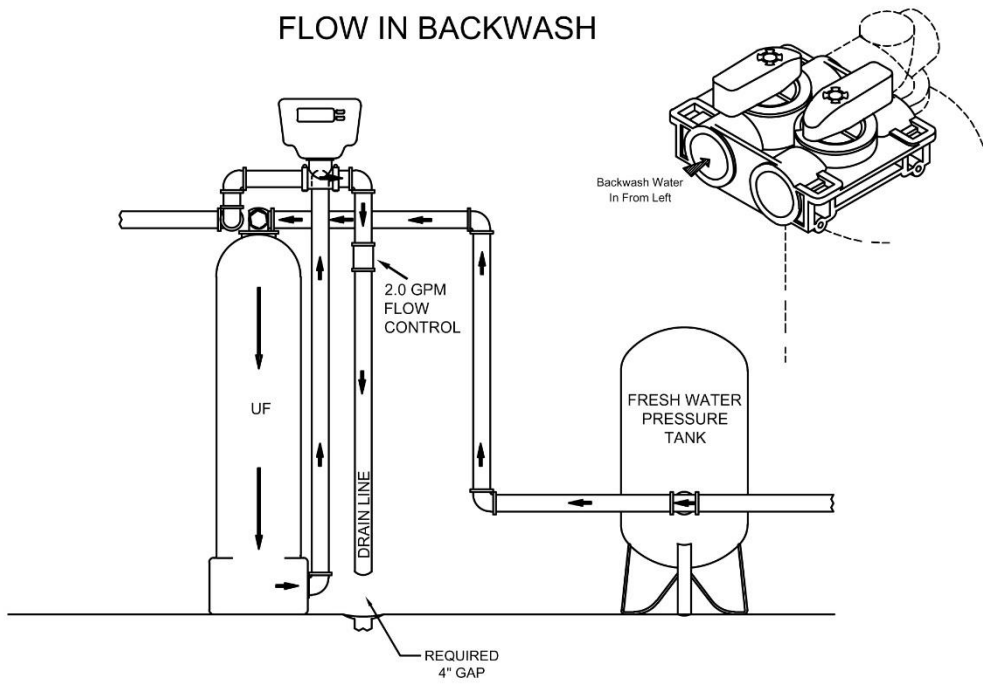
Note:

A 9Volt battery can be used with the Ultra-Filter control board. The battery allows the unit to continue while power is off. Also, if the unit is in backwash and a power failure occurs, the unit will motor to shut-off (rest) position until power is restored. To insert the 9 volt battery, remove the back cover. The battery location will be at the top of the control valve.

FLOW IN SERVICE



FLOW IN BACKWASH

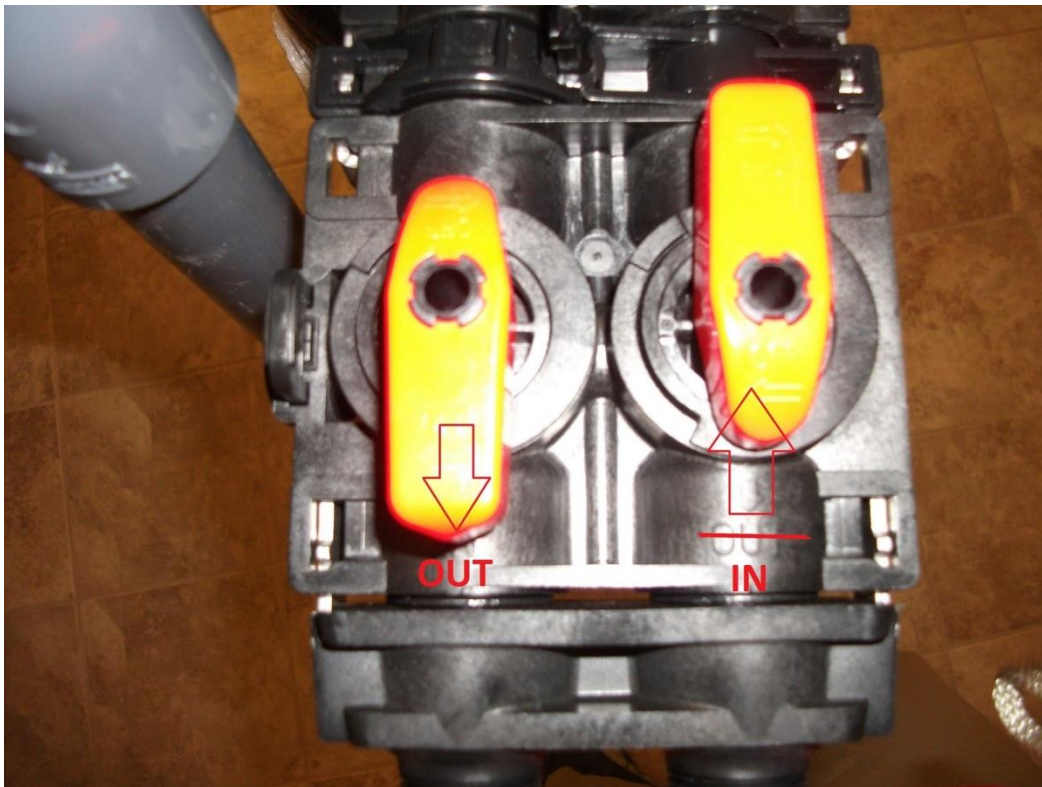


Normal Flow



Backwash Flow





Add a 3/4" Male Threaded, 2.0 GPM Flow Control