

Fresh Tap



Water Conditioning & Descaling Filter

Installation / Operation Manual

Installation.....	Page 3
Set Up.....	Page 4
Specifications.....	Page 5
Assembly.....	Page 6
Warranty Information.....	Page 7

Register Your Product
Online at
www.chandlersystemsinc.com



CHANDLER SYSTEMS

One or more features of this product are covered by U.S. patents, visit <http://www.chandlersystemsinc.com/patents.php> for more information.

Installation

Lubricants

Do NOT use Vaseline, oils, hydrocarbon lubricants or spray silicone anywhere! Petroleum base lubricants will cause swelling of o-rings and seals. The use of other lubricants may attack plastic Noryl®. It is recommended that Dow Corning® silicone grease be used as a lubricant for all control valves. Dow Corning® 7 Release Compound is used in the manufacture of Chandler Systems control valves. (Part # LT-150)

Sealants

Pipe dope and liquid thread sealers may contain a carrier that attacks some plastic materials. It is recommended that Teflon® tape be used to seal plastic Noryl® threaded fittings.

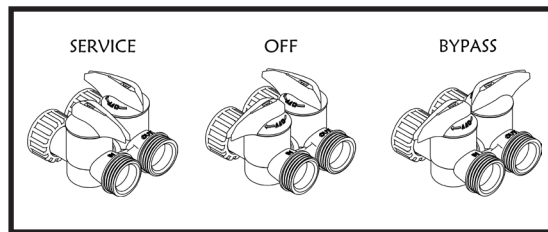
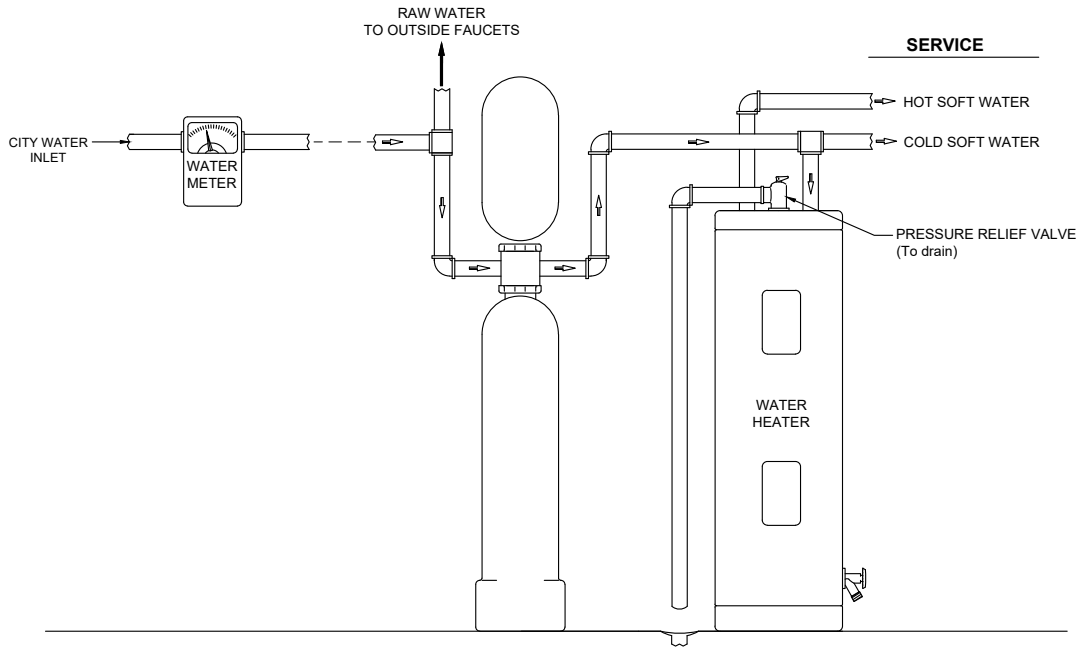
Installation Instructions

- 1. Unpacking :** - Both tanks are already filled with media.
 - Connect top 10 x 18 tank to lower 10 x 40 tank by fastening union nut to tank connector.
HAND TIGHTEN ONLY!
 - Push 3/8 drain shut off provided to 3/8 stem located on tank connector.
 - Attach bypass & elbows provided to inlet/outlet of tank connector. **HAND TIGHTEN ONLY!**
- 2. Location :** For complete customer satisfaction, all water in the home should be filtered with the exception of the outside faucets. Select a location near the water service inlet. Be certain that all sides of the filter are easily accessible for service and maintenance. On a private water system, locate filter after the pressure tank but prior to the hot water tank.
- 3. Water Supply Connections :** Inlet and outlet connections are 1" pipe size. Turn off the main water supply and connect pipes, valves and fittings.
- 4. Turn main water supply on and check for leaks.**
- 5. Open nearest faucet and keep open**
- 6. Slowly open inlet of bypass and allow water to fill the tanks. Check for leaks.**
- 7. Slowly open outlet of bypass and allow air to evacuate the tanks.**
- 8. Keep faucet open until water is consistently clear.**

Note: Since this unit does not back wash, it will not be uncommon to see media debris during rinse time.

FRESH TAP SETUP

(Incoming Water from Left-Side)



Bypass Positions

	FTP6	FTP8	FTP10
SP3 MEDIA	4 Liters	5 Liters	7 Liters
Catalytic Carbon	1 Cu. Ft.	1 Cu. Ft.	1 Cu. Ft.
Service GPM	6	8	10

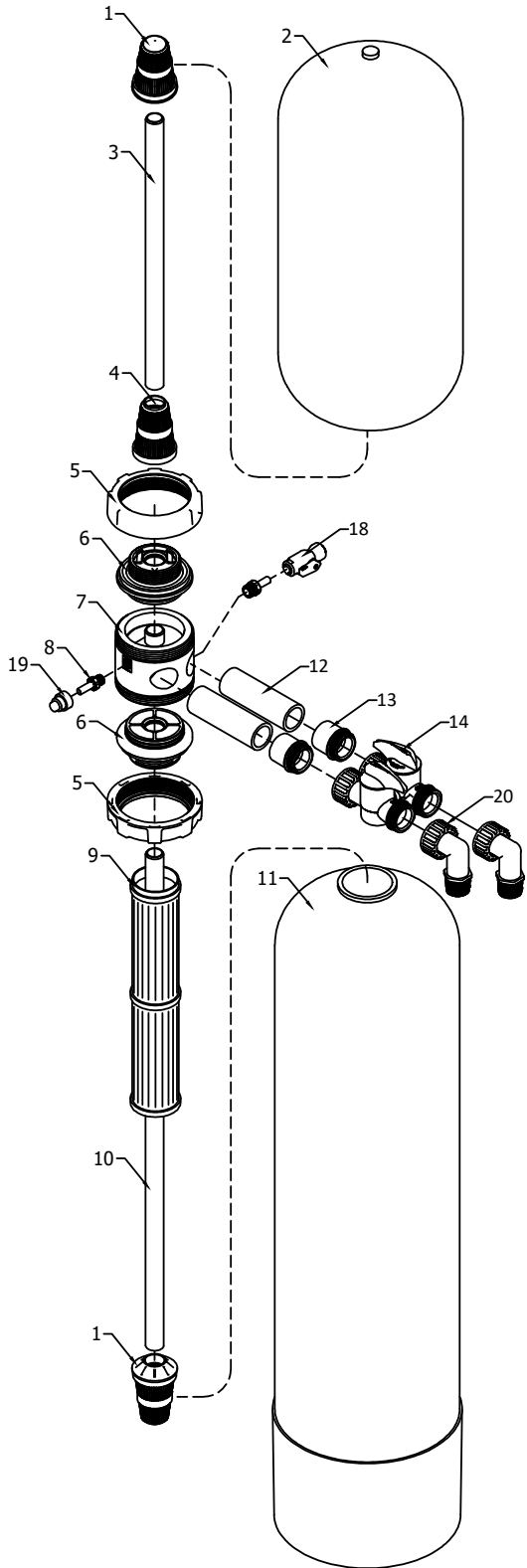
Note: Do not use where water is microbiologically unsafe or with water of unknown quality without adequate disinfection before or after the unit. Pre-treatment for Sediment, Iron, Hydrogen Sulfide, Manganese, Hydrocarbons, and Copper may be required depending on conditions. Install systems in new facilities with copper pipe after six weeks of water use.

Specifications

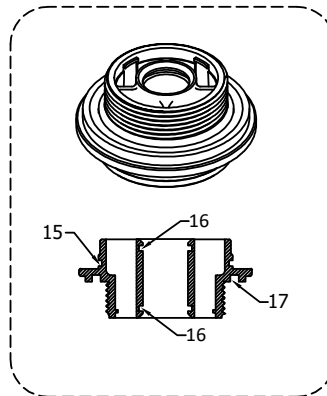
Operation Pressure Range	20-125 psi
Flow direction	Up Flow
Recommended operating temp.	33°-120° F
pH range	6.5 to 9.5
Hardness (carbonate), max. ppm	15 grains
Iron, max. ppm	0.5
Manganese, max. ppm	0.05
Free chlorine, max. ppm	3
Copper, max. ppm	1.3
Hydrogen sulfide	Free

Media is certified under ANSI/NSF 61 from WQA

Assembly



No.	Part No.	Description	Qty
1	33000X006	Bottom Basket	2
2	31018X002	Upper Tank (10x18)	1
3	33012X001	Upper Tank Distributor Tube	1.50
4	33000X003	Top Basket	1
5	20015X007	Tank Adapter Union Nut	2
6	20015X008-F	Tank Adapter	2
7	HP220207	Tank Connector	1
8	GA-S0660616B	3/8" NPT Stem Adapter	2
9	WSS255	KDF Filter	1
10	33012X001	Lower Tank Distributor Tube	1.33
11	31040X102	Lower Tank (10x40)	1
12	PVC8006020	Tank Coupler Nipple (ft)	1
13	20017X291	Solvent Weld D15 Female Fitting	2
14	20017X283	D15 Bypass Assembly	1
15	20015X042	Tank Adapter O-Ring	2
16	20561X204	Distributor Tube O-Ring	4
17	20015X043	Tank O-Ring	2
18	20015X022	Push Lock Ball Valve	1
19	20009X010	Push Lock Cap	1
20	20017X284	90 Degree NPT Fitting (Set)	1
	SP3	Media	7
	CC10B	Media	1
	205513-1	Packaging	1
	205509-1	Packaging	1



WATER TREATMENT EQUIPMENT

This warranty cannot be transferred - it is extended only to the original purchaser or first user of the product. by accepting and keeping this product, you agree to all of the warranty terms and limitations of liability described below.

Important Warning: Read carefully the Chandler Systems, Inc. Equipment Installation, Operating and Maintenance Instructions Manual to avoid serious personal injury and property HAZARDS and to ensure safe and proper care of this product.

*FOR AS LONG AS YOU OWN AND LIVE IN YOUR SINGLE FAMILY HOME, this warranty covers your water treatment equipment, if you are the first user of this Chandler Systems, Inc. water treatment equipment and purchased it for single family home use - subject to all of the conditions, limitations and exclusions listed below. Purchasers who buy the Chandler Systems water treatment equipment for other purposes, and other component parts are subject to more limited warranties and you should read all of the terms included in this form to make sure you understand your warranty.

What is covered by this warranty? Chandler Systems, Inc. warrants that at the time of manufacture, the water treatment equipment shall be free from defects in material and workmanship as follows :

- Proprietary Control Valves.....7 years
Other Softener/Filter Control Valves.....5 years

Additional Terms & Conditions
What Chandler Systems, Inc. will do if you have a covered warranty claim Chandler Systems, Inc. will at its option either make repairs to correct any defect in material or workmanship or supply and ship either new or used replacement parts or products. Chandler Systems will not accept any claims for labor or other costs.

Additional Exclusions and Limitations

This warranty is non-transferable and does not cover any failure or problem unless it was caused solely by a defect in material or workmanship. In addition, this warranty shall not apply :

- If the water treatment equipment is not correctly installed, operated, repaired and maintained as described in the Installation, Operating & Maintenance Instructions Manual provided with the product.
• Defects caused as a direct result of the incoming water quality
• If the tank is not the size indicated for the supply line size of the installation, as described in the manual.
• If the unit has not always been operated within the factory calibrated temperature limits, and at a water pressure not exceeding 125 psi
• To any failure or malfunction resulting from abuse (including freezing), improper or negligent; handling, shipping (by anyone other than Chandler Systems, Inc.), storage, use, operation, accident; or alteration, lightning, flooding or other environmental conditions;

- To any failure or malfunction resulting from failure to keep the unit full of potable water, free to circulate at all times; and with the tank free of damaging water sediment or scale deposits;
• This warranty does not cover labor costs, shipping charges, service charges, delivery expenses, property damage, administrative fees or any costs incurred by the purchaser in removing or reinstalling the water treatment equipment.
• The warranty does not cover any claims submitted to Chandler Systems, Inc. more than 30 days after expiration of the applicable warranty, and does not apply unless prompt notice of any claim is given to an authorized Chandler Systems or a designated contractor is provided access to the installation and to the water treatment equipment.

THESE WARRANTIES ARE GIVEN IN LIEU OF ALL OTHER EXPRESS WARRANTIES. NO CHANDLER SYSTEMS, INC. REPRESENTATIVE OR ANY OTHER PARTY IS AUTHORIZED TO MAKE ANY WARRANTY OTHER THAN THOSE EXPRESSLY CONTAINED IN THIS WARRANTY AGREEMENT.

Additional Warranty Limitations
ANY IMPLIED WARRANTIES THE PURCHASER MAY HAVE, INCLUDING THE IMPLIED WARRANTIES OF MERCHANTABILITY AND FITNESS FOR A PARTICULAR PURPOSE, SHALL NOT EXTEND BEYOND THE APPLICABLE TIME PERIODS SPECIFIED ABOVE. Some states do not allow limitations on how long an implied warranty lasts, so the above limitations may not apply to you.

Limitations of Remedies
The remedies contained in this warranty are the purchaser's exclusive remedies. In no circumstances will Chandler Systems, Inc. or the seller of the product be liable for more than, and purchaser-user's remedies shall not exceed, the price paid for the product. In no case shall Chandler Systems, Inc. or seller be liable for any special, incidental, contingent or consequential damages. Special, incidental, contingent and consequential damages for which Chandler Systems, Inc. is not liable include, but are not limited to, inconvenience, loss or damage to property, consequential mold damage, loss of profits, loss of savings or revenue, loss of use of the products or any associated equipment, facilities, buildings or services, downtime, and the claims of third parties including customers. Some states do not allow the exclusion or the limitation of incidental or consequential damages, so the above limitations or exclusion may not apply to you.

What to do if you have a problem covered by this warranty
Any warranty coverage must be authorized by Chandler Systems, Inc. Contact the person from whom you purchased the product, who must receive authorization from Chandler Systems, Inc. .

If your product is new and not used and you wish to return it, contact Chandler Systems, Inc.



www.chandlersystemsinc.com

040722TV